

STATIC CLASSIFIERS WS

WITH FEEDING MATERIAL MAX. 1 MM FOR FINAL PRODUCTS 60-200 MICRON

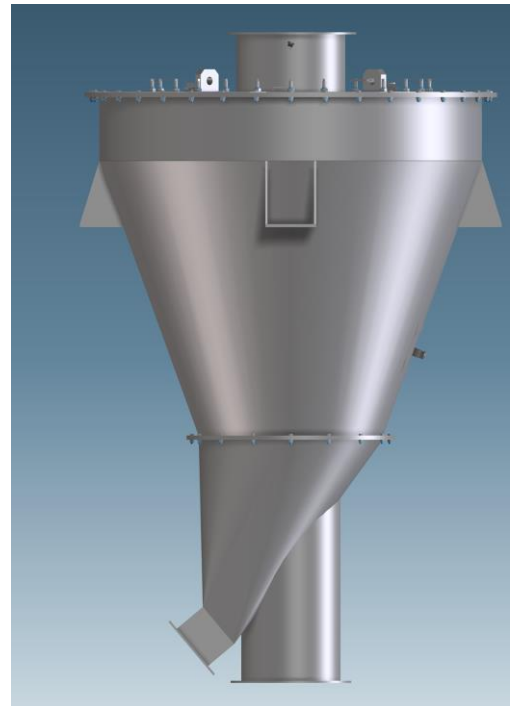
APPLICATION SECTORS

- agriculture
- adhesives
- building materials
- mortars
- refractory

WORKING

Material goes into the lower part of the classifier through air flow and a double cone spreads the particles. The frame is formed by two selection areas.

The first selection area classifies coarse particles by gravity, the second area is formed by a rib crown with adjustable inclination that supplies a centrifugal force and it prevents particles bigger than the top cut to be sucked into the upper part of the classifier. The fine material goes out from the upper part and coarse material is discharged from the lower part of the classifier.



CONSTRUCTION

Execution in carbon steel. The classifier is built in two parts connected by flanges.

The lower part includes feed inlet and the coarse material discharge.

The upper part includes the fine material discharge, support plates, adjustment section of size particles, double cone and immersion pipe for adjustment. Machinery without motor.

MODEL WS	Max. Ø * (mm)	Max. Height* (mm)	Feeding Capacity* (kg/h)
80	800	1750	800 – 1.000
100	1000	2180	1.600 – 2.000
120	1200	2450	2.700 – 3.400
140	1400	2650	4.300 – 5.200
160	1600	2800	6.500 – 8.000
180	1800	3100	10.000 – 12.000
200	2000	3350	12.500 – 15.000
220	2200	3650	17.000 – 20.000
240	2400	3900	22.000 – 27.000

*Indicative data